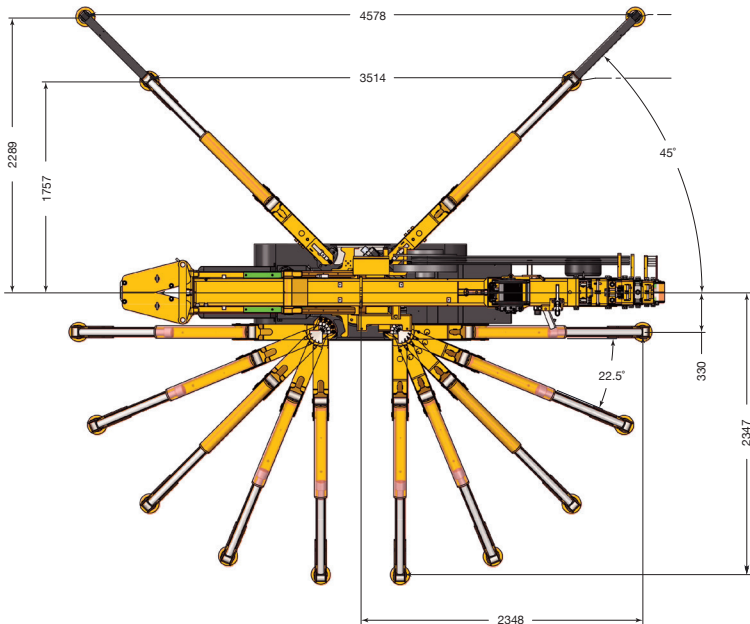
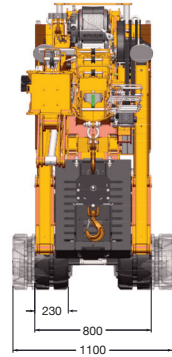
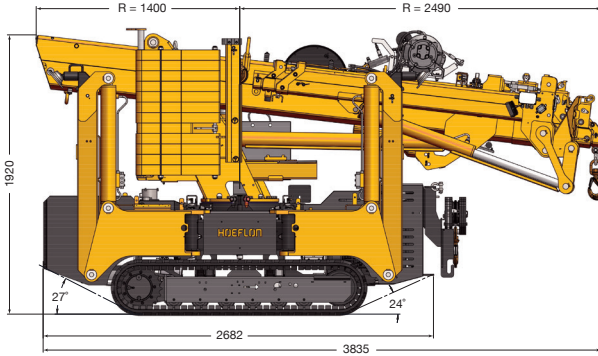


# Hoeflon C10

Compact crane

TONNE  
4

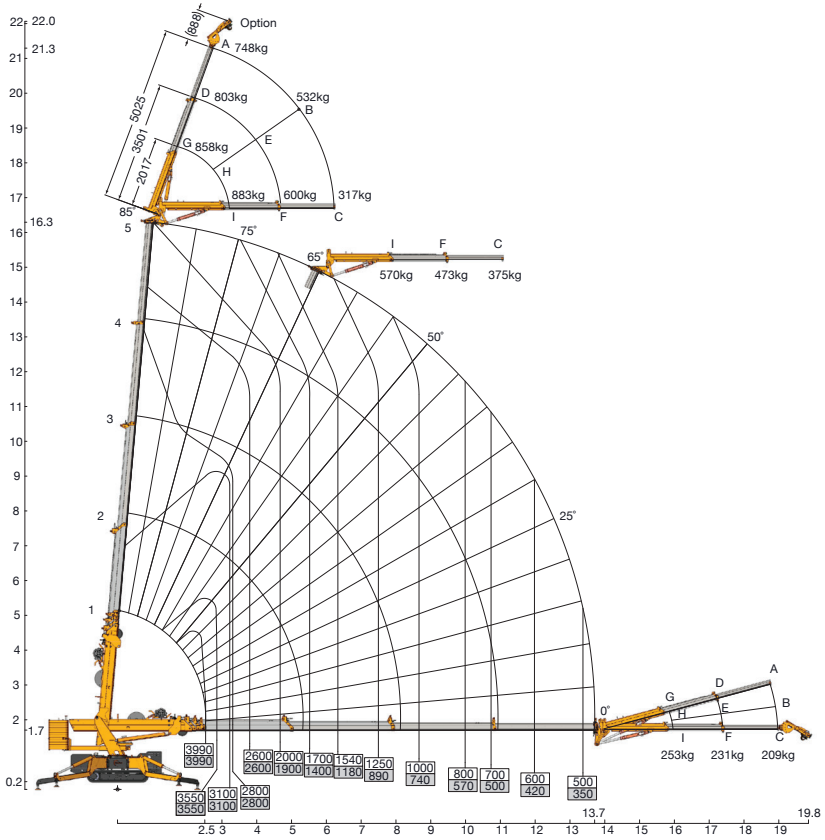
## Dimensions



# Hoeflon C10

## Lifting heights

Hoeflon C10 Compact crane



### C10 SHORTLY

- Manoeuvrable with extreme precision
- Remote control for outrigger, driving and crane functions
- Hydraulically expandable tracks
- Removable and extendible ballast
- Tie-down hooks for trailer
- One lifting point.

# Hoeflon C10

## Lifting capacities

TONNE

4

Angle main boom	Load fly-jib (kg)									
	nr.	A	B	C	D	E	F	G	H	I
85	5	748	532	317	803	701	600	858	870	883
		584	416	247	627	548	468	670	680	689
	4	958	718	478	1029	934	839	1099	1150	1200
		734	550	366	787	715	642	841	880	918
	3	1038	807	575	1079	984	888	1121	1161	1200
		767	596	426	798	727	657	829	585	887
	2	1038	807	575	1079	984	888	1121	1161	1200
		859	668	477	894	814	735	928	961	994
	1	1038	807	575	1079	984	888	1121	1161	1200
		1038	807	575	1079	984	888	1121	1161	1200
75	5	748	531	314	803	637	470	858	742	627
		584	415	245	627	497	367	670	580	490
	4	958	716	474	1029	918	808	1099	1120	1142
		734	548	363	787	703	618	841	858	874
	3	1038	804	570	1079	982	885	1121	1161	1200
		767	595	422	798	726	655	829	858	887
	2	1038	804	570	1079	982	885	1121	1161	1200
		859	666	472	894	813	733	928	961	994
	1	1038	804	570	1079	982	885	1121	1161	1200
		1038	804	570	1079	982	885	1121	1161	1200
65	5	674	524	375	727	600	473	781	676	570
		493	384	275	552	448	345	610	512	415
	4	987	741	494	1063	892	721	1139	1043	947
		756	567	378	814	681	549	872	796	720
	3	1036	801	566	1088	982	876	1139	1163	1187
		766	592	419	804	726	648	842	860	878
	2	1036	801	566	1088	985	883	1139	1170	1200
		858	663	469	901	816	731	943	968	994
	1	1036	801	566	1088	985	883	1139	1170	1200
		1036	801	566	1088	985	883	1139	1170	1200
50	5	561	510	460	626	585	543	691	659	626
		284	258	233	319	296	274	354	334	314
	4	768	665	562	848	775	702	928	885	843
		397	357	317	458	421	384	518	485	451
	3	1001	781	562	1071	944	817	1141	1107	1072
		559	487	416	659	598	538	758	709	660
	2	1060	811	562	1130	1006	881	1200	1200	1200
		878	672	465	936	833	729	994	994	994
	1	1060	811	562	1130	1006	881	1200	1200	1200
		1060	811	562	1130	1006	881	1200	1200	1200
25	5	270	264	258	304	298	293	337	332	328
		115	112	109	129	127	124	144	142	140
	4	404	394	385	465	456	447	527	518	510
		192	188	183	221	217	212	250	246	242
	3	607	584	560	728	708	688	849	832	815
		301	292	283	358	350	341	415	406	399
	2	731	646	560	1952	905	858	1172	1164	1156
		548	506	464	689	661	632	830	815	801
	1	731	646	560	966	923	880	1200	1200	1200
		731	646	560	966	923	880	1200	1200	1200
0	5	209	209	209	231	231	231	253	253	253
		82	82	82	93	93	93	104	104	104
	4	329	329	329	369	369	369	408	408	408
		153	153	153	177	177	177	200	200	200
	3	498	498	498	571	571	571	643	643	642
		253	253	253	301	301	301	349	349	349
	2	566	566	566	788	788	788	1011	1011	1011
		469	469	469	602	602	602	735	735	735
	1	566	566	566	883	883	883	1200	1200	1200
		566	566	566	883	883	883	1200	1200	1200

Hoeflon C10 Compact crane

# Hoeflon C10

## Configuration

TONNE

4

Standard configuration	
Capacity	4,000 kg
Boom outreach	13.7 m, and 19.8 m with options
Hoisting height	16.3 m, and 22 m with options
Transport dimensions LxWxH	3.9 m x 0.8 m x 1.93 m
Total weight	4,400 kg, and 4,700 kg with options
Boom angle	-5° to 83°
Boom system	Cylinder and chain system
Slewing angle	360°
Driving speed	1st gear: 1.1 km/h 2nd gear: 2.3 km/h 3rd gear: 2.9 km/h
Engine Yanmar	3-cylinder diesel
Inclination angle, driving	20°
Outrigger pressure	4,500 kg per outrigger
Ground pressure, tracks	0.72 kg/cm <sup>2</sup>
Extendible, removable ballast	1,340 kg
Noise	75 dB

Hoeflon C10 Compact crane